

Features

- High QE CCD: >55% @500nm
- 2 Megapixel Resolution: 1600 X 1200
- Interline Progressive Scan CCD
- 12 Bit Digitization
- Dual A/D Converters: 40 and 20 MHz
- Low Read Noise
- Optional 1-Stage or 2-Stage TE Coolers
- "C" Lens Mount
- Long Term Exposures: >1 hour
- High Signal to Noise Ratio
- Variable, On-chip Region of Interest and Binning
- Flexible Exposure and Readout Modes
- CameraLink Interface
- *DVCView*TM: Image Capture and Control Software
- Windows/Linux API
- Software and External Asynchronous Triggers
- No Mechanical Shutter Required
- CE / UL / CUL / FCC Certified

Additional Information

Available at:

www.dvcco.com

Description

The DVC-2000M is a high resolution, high sensitivity digital camera utilizing a Kodak KAI-2020M progressive scan interline CCD sensor. The quantum efficiency of the CCD peaks in the 500-600nm region of the spectrum, resulting in optimum sensitivity for most applications.

The DVC-2000M has four basic operating modes: streaming overlapped exposure, streaming non-overlapped exposure, edge-triggered single-frame snapshot, and variable pulse-width exposure. Two independent A/D converters offers the user selection of CCD readout rates for lowest noise or highest speed.

*DVCView*TM application software is provided with the camera for real-time viewing and image capture. A multi-platform SDK is available to developers, streamlining integration of all DVC cameras via the DVC API.



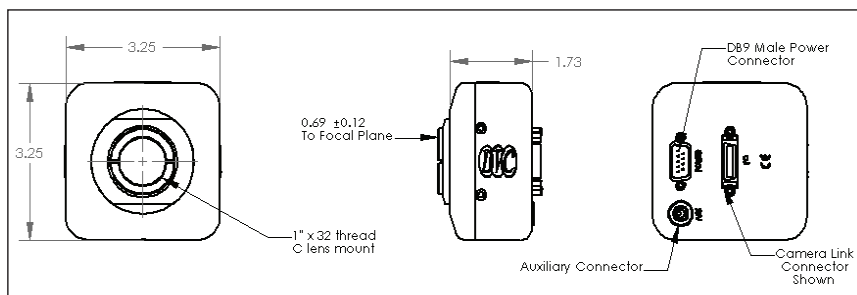
SPECIFICATIONS

CCD

KAI-2000M progressive scan interline CCD

Active Pixels	1600 X 1200
Pixel Size	7.4 μm X 7.4 μm
Imager Size	14.8 mm (diagonal)
Aspect Ratio	4:3
Peak QE	>55%
Full Well	38,000e- @ 20 MHz 20,000e- @ 40 MHz

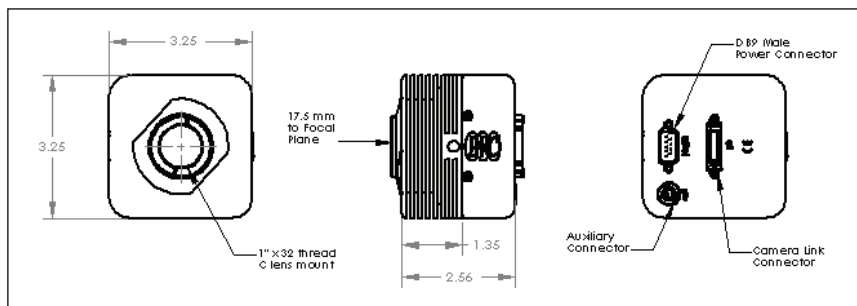
2000M



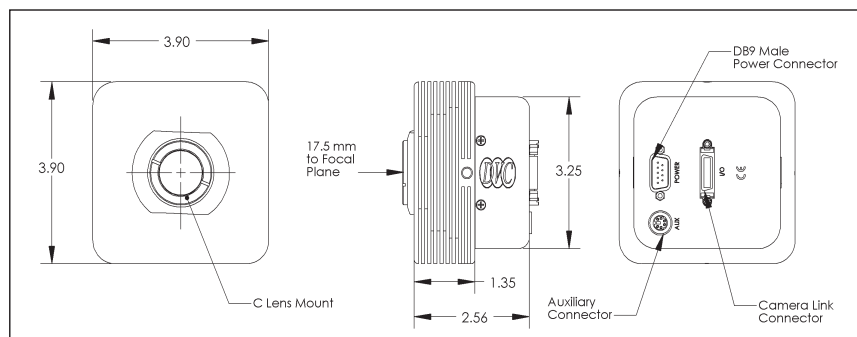
Digital Video

I/O	12 Bit CameraLink		
A/D Converter 1	20 MHz @ 12 bits		
A/D Converter 2	40 MHz @ 12 bits		
Read Noise	12e- @ 20 MHz		
Binning (selected examples)		20MHz	40MHz
	1X1 1600 X 1200	9	18
	2X2 800 X 600	17	32
	4X4 400 X 300	32	53
8X8 200 X 150	52	78	
ROI (selected examples)		20MHz	40MHz
	800 X 600	18	32
	400 X 300	32	54
	200 X 150	54	81

2000M-T1 Cooled



2000M-T2 Cooled



Electrical

Input Voltage	110/220 VAC 50/60 Hz
Power	<5 Watts

Mechanical

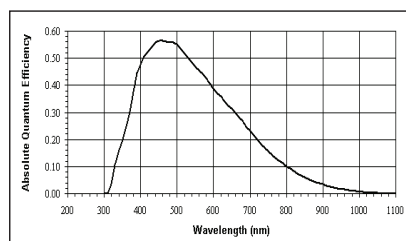
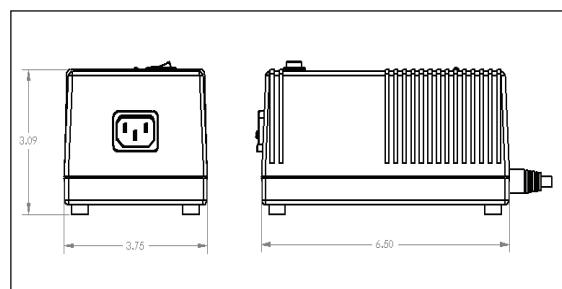
Size	3.25" (H) X 3.25" (W) X 1.73" (L)
W/T1 Cooler	3.25" (H) X 3.25" (W) X 2.56" (L)
W/T2 Cooler	3.90" (H) X 3.90" (W) X 2.56" (L)
Weight	18 ozs. (505 grams)
W/T1 Cooler	30 ozs. (900 grams)
W/T2 Cooler	38 ozs. (1077 grams)
Lens Mount	C-mount
Camera Mount	1/4" X 20 Standard Tripod mount
Camera Connector	CameraLink .MDR-26
Power Connector	DB-9M

Camera Control

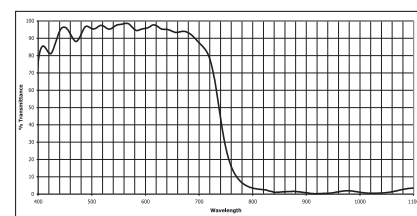
DVCView Interface Software module, standard

Gain Control Range	35 dB
Offset Control (black)	0% to 6% in 256 steps
Exposure Range	50 μs to 1 hour

Linear Power Supply



CCD Quantum Efficiency



IR Filter Response

